

# Transformers®

**“Transform” your FireKing file into a fireproof, heat-resistant data safe.**

**E**very day, more and more valuable information is stored on computer diskettes. And computer diskettes certainly have their advantages – however, they also have their special sensitivities and protection needs.

Introducing the FireKing Transformers, a practical alternative to

expensive data safes. In a fire, when placed in a UL-rated fireproof file, Transformers keep their cool – allowing internal temperatures to go no higher than 125°F (the danger point for computer media) for at least one hour. They also protect data from humidity, magnetic interference, theft and the accidents that can occur in everyday

office conditions. Because they're equipped with keylocks, Transformers lend added confidentiality to sensitive information.

Transformers are available in two sizes: one for legal and lateral fireproof files; the other for Turtle® and other letter-size fireproof files. They carry FireKing's lifetime warranty and free replacement guarantees – making them the affordable diskette-storage solution that offers priceless protection.



#### **TF-125-H: Transformer**

- Fits FireKing legal and Lateral Files.
- Holds up to 140 3 1/2" diskettes or 80 5 1/4" diskettes.
- Holds up to 40 8" diskettes.

#### Outside Dimensions:

10 1/8" H x 16 3/8" W x 13 1/8" D

#### Internal Dimensions:

6 1/2" H x 11 3/4" W x 8 1/2" D

Approx. Shipping Weight: 37 lbs.

Parchment color.

#### **Fire King International**

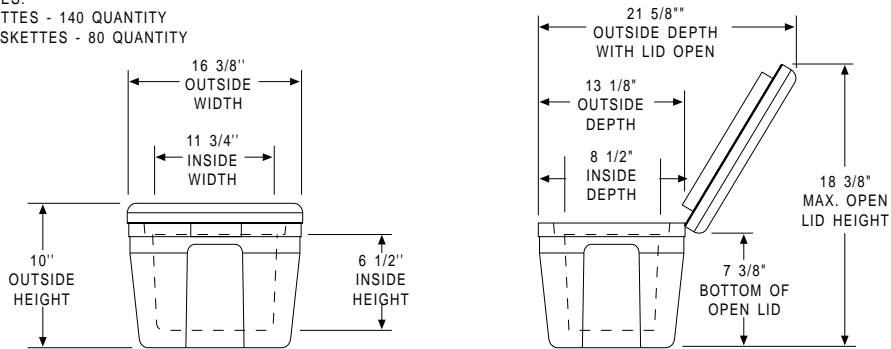
101 Security Parkway  
New Albany, Indiana USA 47150

812-948-8400 / 800-457-2424  
812-948-0437 / 800-227-7513 FAX

**FireKing®** 

# Transformer Specifications

TRANSFORMER MODEL TF125H MAXIMUM  
CAPACITIES:  
5" DISKETTES - 140 QUANTITY  
3 1/2" DISKETTES - 80 QUANTITY



## **Lifetime Warranty**

Transformers carry a lifetime warranty on all parts, including insulation.

## **Free Replacement Guarantee**

If your Transformer is ever required to protect your computer information in a fire, and any damage occurs to its fire-protective properties, FireKing will replace your Transformer free.

## **Total Customer Satisfaction Guarantee**

If, for any reason, you aren't satisfied with your FireKing Transformer during your first year of ownership, we'll either replace it, or refund its purchase price in full and pay the return freight.

# Transformers®

**“Transform” your FireKing file into a fireproof, heat-resistant data safe.**

**E**very day, more and more valuable information is stored on computer diskettes. And computer diskettes certainly have their advantages – however, they also have their special sensitivities and protection needs.

Introducing the FireKing Transformers, a practical alternative to

expensive data safes. In a fire, when placed in a UL-rated fireproof file, Transformers keep their cool – allowing internal temperatures to go no higher than 125°F (the danger point for computer media) for at least one hour. They also protect data from humidity, magnetic interference, theft and the accidents that can occur in everyday

office conditions. Because they're equipped with keylocks, Transformers lend added confidentiality to sensitive information.

Transformers are available in two sizes: one for legal and lateral fireproof files; the other for Turtle® and other letter-size fireproof files. They carry FireKing's lifetime warranty and free replacement guarantees – making them the affordable diskette-storage solution that offers priceless protection.



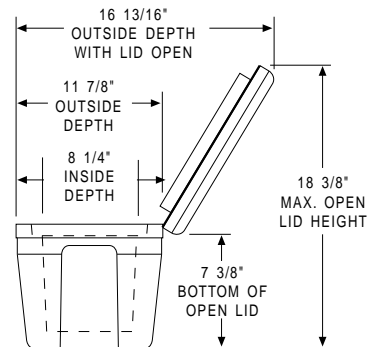
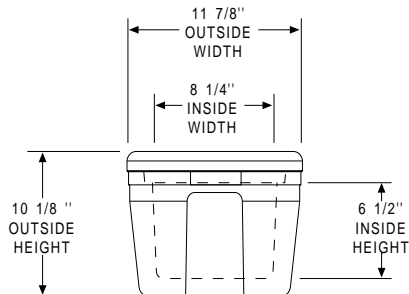
#### **TF-125-T: Transformer**

- Fits FireKing Turtle® or letter files.
- Holds up to 80 3 1/2" diskettes or 40 5 1/4" diskettes.

Outside Dimensions:  
10 1/8" H x 10 1/4" W x 11 7/8" D  
Internal Dimensions:  
6 1/2" H x 6 1/4" W x 8 1/4" D  
Approx. Shipping Weight: 20 lbs.  
Parchment color.

# Transformer Specifications

TRANSFORMER MODEL TF125T MAXIMUM CAPACITIES:  
5" DISKETTES - 40 QUANTITY  
3 1/2" DISKETTES - 80 QUANTITY



## **Lifetime Warranty**

Transformers carry a lifetime warranty on all parts, including insulation.

## **Free Replacement Guarantee**

If your Transformer is ever required to protect your computer information in a fire, and any damage occurs to its fire-protective properties, FireKing will replace your Transformer free.

## **Total Customer Satisfaction Guarantee**

If, for any reason, you aren't satisfied with your FireKing Transformer during your first year of ownership, we'll either replace it, or refund its purchase price in full and pay the return freight.

## **Fire King International**

101 Security Parkway  
New Albany, Indiana USA 47150

812-948-8400 / 800-457-2424  
812-948-0437 / 800-227-7513 FAX

